



EUREKA

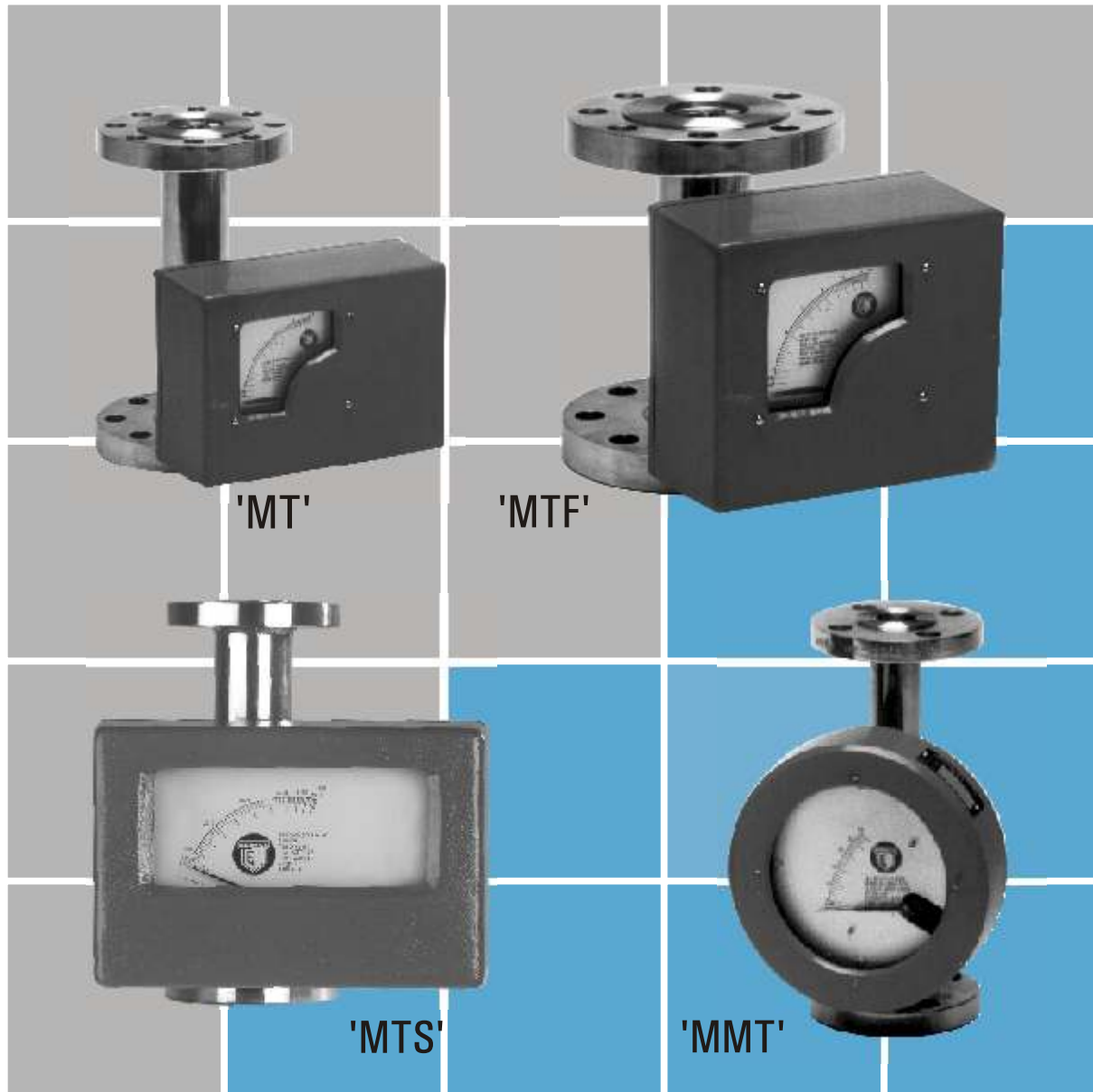
Website: www.eurekaflow.com



VARIABLE AREA FLOW METER

METAL TUBE ROTAMETER

Designed to measure flowrate of liquids & gases under critical conditions



**EUREKA
INDUSTRIAL
EQUIPMENTS
PVT. LTD.**

REGD. & SALES OFFICE : 17-20, 1st Floor, Royal Chambers, Paud Road, Pune 411 038, Maharashtra, India.
Tel: 0091-20-25443079, 25451314 Fax: 0091-20-25441323 Email: eurekapnmail@vsnl.net

FACTORY : 501, 'J' Block, M.I.D.C., Pimpri, Pune - 411 018. Tel: 0091-20-27460585, 306817 31 to 50
Fax: 0091-20-27460586 Email: eurekamail@vsnl.net

MUMBAI OFFICE : Office No.116, Growmore Tower, 1st Floor, Plot No.5, Sector No.2, Kharghar, Navi Mumbai - 410 210. Mobile: 9322598274

AUTH. SERVICE CENTRE : Eureka Hightech, 281/1, Plot No.38, Kasar Amboli, Tal. Mulshi, Pune-412 108 Tel: 020-22922170

VARIABLE AREA FLOWMETER

"MT" SERIES

"MT" series Rotameters are all Metal Variable Area Type Flow Meters designed to measure flow rate of liquids and gases under critical conditions. It consists of a tapered metal tube, an indicating assembly and float. A magnet encapsulated in float couples with rotating magnets connected to an indicating pointer as show in fig. A thus the movement of the float, is accurately indicated in terms of flowrate.

ENGINEERING SPECIFICATIONS

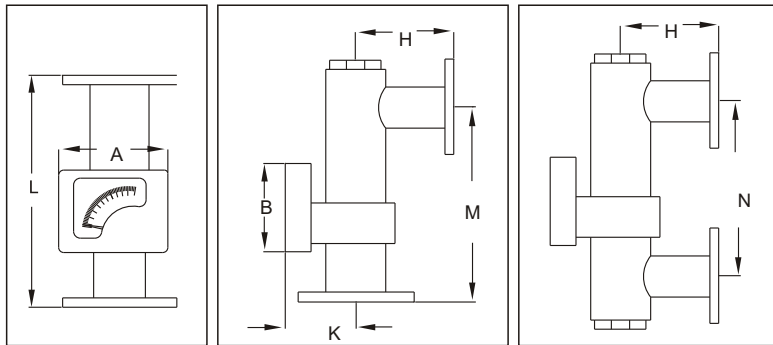
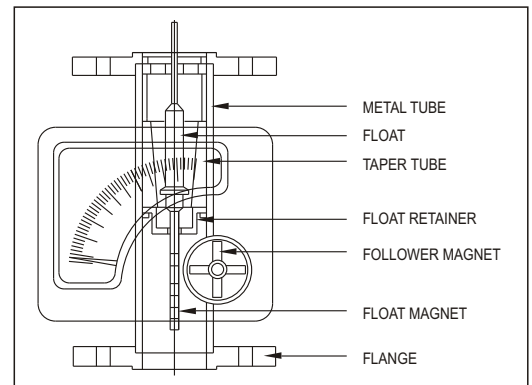
Rangeability	: 10 : 1
Accuracy	: $\pm 2\%$ of Full Flow, $\pm 1.5\%$ of Full Flow (optional)
Repeatability	: 0.5%
Scale length	: 90° Angular
Pressure rating	: 40 Bar, 250 Bar (optional)
Allowable Fluid Temp.	: -20° to 250° C
Connection	: Flanged, Threaded, Sanitary fitting
Material of Construction	: SS316, SS316L, SS304, Hastelloy C, TITANIUM
Indicator box	: ABS, Cast AL, SS (optional)
Protection class	: IP-65 on Request.



DIMENSIONS

ALL DIMENSIONS ARE IN mm. UNLESS OTHERWISE SPECIFIED

MT ROTAMETER SERIES "MT"					INDICATOR BOX MATERIAL		MT ROTAMETER SERIES "MTS"										
					ABS PLASTIC		ALUMINIUM		ROUND BOX						RECTANGULAR BOX		
MODEL NO.	L	M	N	H	A	B	K	A	B	K	MODEL NO.	ML	Ø	MK	A	B	K
MT1-4			300								MTS1-4			110			155
MT5-9	300	350	110				192			202	MTS5-8			115			160
MT10-12				185	165		200	180			220	MTS9-12	250	190	130	235	160
MT13-15			350				210				MTS13-15			150			195
MT16-19	400	400	400	150			220			230	MTS16-18			165			210
MT20-21											MTS19-21	350		155			190



CAPACITY TABLE

Line size	Model No.	Water at Amb. Temp.				Air at Amb. Temp. 760 Torr ABS				Pressure Drop mm WG	
		LPH		USGPM		nm ³ /hr		SCFM			
		Minimum	Maximum	Minimum	Maximum	Minimum	Maximum	Minimum	Maximum		
3/4"	MT-1	MTS-1	16	160	0.07	0.7	0.45	4.50	0.28	2.80	1200
	MT-2	MTS-2	25	250	0.1	1	0.75	7.5	0.475	4.75	
	MT-3	MTS-3	40	400	0.17	1.7	1.2	12	0.76	7.60	
	MT-4	MTS-4	60	600	0.26	2.6	1.2	12	0.76	7.6	
1"	MT-5	MTS-5	100	1000	0.44	4.4	3	30	1.90	19.00	1000
	MT-6	MTS-6	120	1200	0.53	5.3	3.5	35	2.20	22.00	
	MT-7	MTS-7	160	1600	0.7	7	4.5	45	2.80	28.00	
	MT-8	MTS-8	280	2800	1.25	12.5	8	80	5.00	50.00	
1.5"	MT-9	---	500	5000	2.2	22	14	140	8.80	88.00	1000
	MT-10	MTS-10	550	5500	2.5	25	14	140	8.80	88.00	
	MT-11	MTS-11	750	7500	3.3	33	16	160	10.00	100.00	
	MT-12	MTS-12	1000	10000	4.4	44	20	200	12.50	125.00	
2"	MT-13	MTS-13	1250	12500	5.5	55	30	300	19.00	190.00	1000
	MT-14	MTS-14	1600	16000	7	70	36	360	23.00	230.00	
	MT-15	MTS-15	2000	20000	8.8	88	46	460	36.00	360.00	
3"	MT-16	MTS-16	2000	20000	8.8	88	57.5	575	36.00	360.00	1000
	MT-17	MTS-17	2500	25000	11	110	57.5	575	36.00	360.00	
	MT-18	MTS-18	3000	30000	13.3	133	70	700	44.00	440.00	
	MT-19	MTS-19	4000	40000	17.5	175	86	860	54.00	540.00	
4"	MT-20	MTS-20	5000	50000	22	220	115	1150	72.00	720.00	1200
	MT-21	MTS-21	6000	60000	26.6	266	145	1450	91.50	915.00	

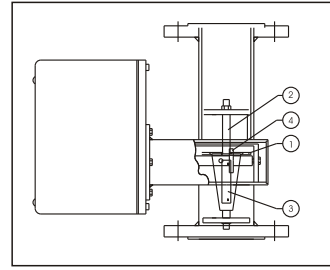
Accessories

- 1) Electronic Transmitter with 4-20mA O/P
- 2) Digital Flowrate Indicator Totaliser
- 3) Minimum or Maximum Flow Switch

VARIABLE AREA FLOWMETER

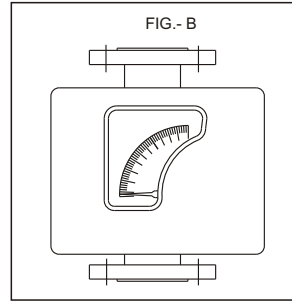
"MTF" SERIES

"MTF" series Rotameter is a precision flowrate measuring instrument. For details refer to fig.B. A float (2) is free to move up & down in a orifice (1). Fluid flow causes the float to take up a position in which the buoyancy forces & the weight are balanced. The vertical position of the float is a measure of the instantaneous flowrate. The scale can be calibrated in mass or volume flow units. The coupling magnet (3) fitted into float (2) transmits float position to the follower magnet (4) which is attached to the indicating assembly in the indicator box. Thus the pointer moves with the position of the float.



CAPACITY TABLE

LINE SIZE	MODEL NO.	Air at Amb Temp 760 Torr ABS				Pressure Drop mm WG
		LPH		USGPM		
		Minimum	Maximum	Minimum	Maximum	
3/4"	MTF-1	30	150	0.13	0.7	1000 approx.
	MTF-2	30	300	0.13	1.3	
	MTF-3	40	400	0.175	1.75	
	MTF-4	80	800	0.35	3.5	
1"	MTF-5	120	1200	0.5	5	
	MTF-6	140	1400	0.6	6	
	MTF-7	165	1650	0.72	7.2	
	MTF-8	170	1700	0.75	7.5	
	MTF-9	250	2500	1.1	11	
1.5"	MTF-10	270	2700	1.2	12	
	MTF-11	320	3200	1.4	14	
	MTF-12	500	5000	2.2	22	
2"	MTF-13	500	5000	2.2	22	
	MTF-14	600	6000	2.6	26	
3"	MTF-16	750	7500	3.3	33	
	MTF-17	1100	11000	4.8	48	
	MTF-18	1400	14000	6.15	615	



DIMENSIONS

Model No.	Indicator Box Material					
	ABS Plastic			Aluminium		
	A	B	K	A	B	K
MTF1-12			192			202
MTF-13-14			192			202
MTF-16-18	185	165	220	200	180	230
MTF-19			235			245

ENGINEERING SPECIFICATIONS

- Rangeability : 10 : 1
- Accuracy : $\pm 2\%$ Of Full Flow
- Repeatability : 0.5%
- Scale length : 90° Angular
- Pressure rating : 40 Bar
- Fluid Temp. : -20° to 100° C
- Connection : Process flanges machined as per customer's requirement.
- Material of Construction : SS316 PTFE Lined
- Indicator box : ABS, Cast AL, SS (optional)
- Protection class : IP-65 on Request.

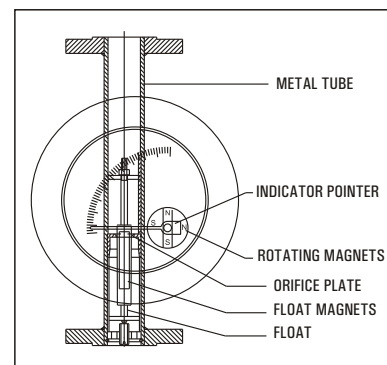
Accessories

- 1) Electronic Transmitter with 4 - 20 mA O/P
- 2) Digital Flowrate Indicator Totaliser
- 3) Minimum or Maximum Flow Switch

VARIABLE AREA FLOWMETER

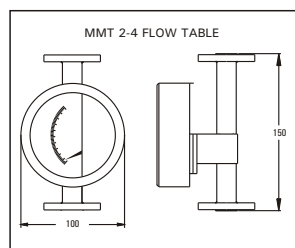
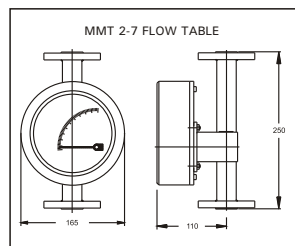
"MMT" SERIES

"MMT" series Rotameter is a precision low flowrate measuring instrument. It consists of a special miniature orifice plate, tapered Float, and an indicating assembly. A magnet encapsulated in float couples with rotating magnets connected to an indicator pointer as show in fig. C. Thus the movement of the float, is accurately indicated in terms of flowrate.



ENGINEERING SPECIFICATIONS

- Application : Liquid
- Rangeability : 10 : 1
- Accuracy : $\pm 5\%$ of Full Flow
- Repeatability : 1.5%
- Float travel : 40 mm
- Scale length : 90 Degrees Angular
- Pressure rating : 40 Bar
- Allowable Fluid Temp. : -10° to 100° C
- Viscosity : ≤ 3 cp
- Connection : Process flanges machined as per customer's requirement.
- Material of Construction : AISI316, AISI304
- Indicator box : Aluminium
- Protection class : IP-65 on Request.



CAPACITY TABLE

Model No.	Water at Abm. Temp.				Precise Drop mm WG
	LPH		USGPM		
	Minimum	Maximum	Minimum	Maximum	
MMT-1	3	30	0.014	0.14	1000 Approx.
MMT-2	5	50	0.022	0.22	
MMT-3	10	100	0.044	0.44	
MMMT-2	1	10	0.0044	0.044	
MMMT-3	1.6	16	0.0070	0.070	
MMMT-4	2.5	25	0.011	0.11	

Accessories (for MMT1-3)

- 1) Electronic transmitter with 4 - 20 mA O/P
- 2) Digital Flowrate Indicator Totaliser
- 3) Flow Switch

